



**NDS3585**

**Multi-Channel CI-Receiver**

**DVB-C/T/ISDB-T, DVB-S/S2/S2X or ATSC RF → ASI/IP**



**Each Demodulation Module = 2 or 4 \*RF/Loop out + 2\*CAM + 2\*Smartcard**

### Product Introduction

NDS3585 Multi-Channel CI Receiver is a DEXIN's new design which integrates demodulation and de-scrambler in one case to convert RF signals into TS output after re-mux.

It is a 1-U case which supports Max 2 demodulation modules. The 2 CAMs/CIs accompanied in each demodulation module can decrypt programs inputting from encrypted RF, ASI and IP. The CAM requires NO unsightly external power cords, cables, or additional remote control device.

BISS function is also embedded to descramble programs from any input.

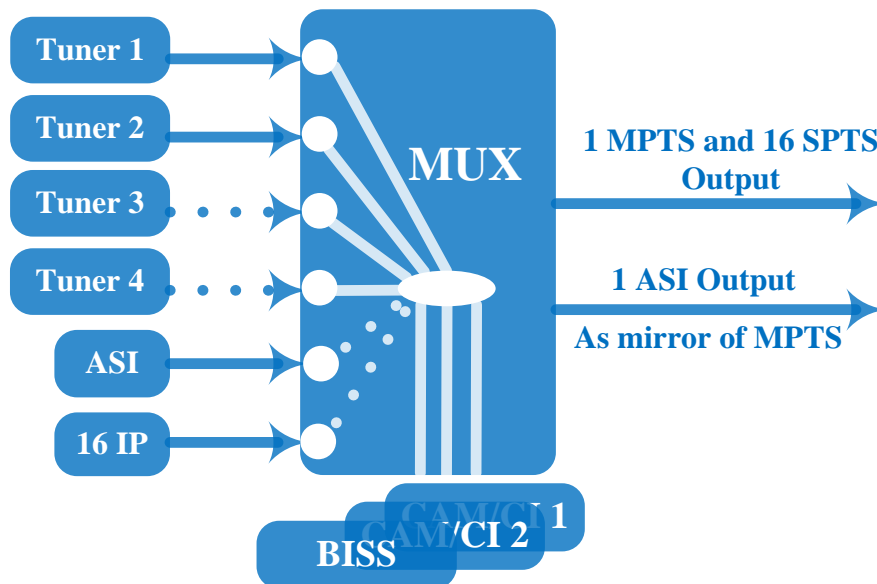
To meet customers' various requirements, Each demodulation module of NDS3585 is also equipped

with 1 ASI in and 16 IP inputs for re-mux, and output 1 MPTS and 16 SPTS with 1 ASI out port and 1 data port.

## Key Features

- 2 or 4 Tuner (DVB-C/T/ISDB-T switchable or DVB-S/S2/S2X or ATSC optional) inputs for each demodulation module
- 1 ASI & 16 IP (UDP/RTP) inputs for re-mux
- One CAM can decrypt multiple programs from Tuners/ASI/IP
- Support BISS descrambling
- IP (1 MPTS & 16 SPTS) over UDP and RTP output; ASI out for MPTS
- Support maximum 256 PID mapping
- Remote control and Firmware, web NMS management
- Updates via web
- Best quality and breakthrough price

## Principle Chart (each demodulation module)



## Technical Specifications



All the specifications are subject to change without any further notice. All rights reserved.

Add: No. 10 & No. 12, Wuxing Fourth Road, Wuhou District, Chengdu 610045, Sichuan, P.R. China  
www.dsdvb.com/English Tel: +86-028-85558928 Fax: +86-028-85585255 Email: sunyu@dsvb.com

<b>Input(per demodulation module)</b>	2 or 4* tuner inputs (DVB-C/T/ISDB-T switchable or DVB-S/S2/S2X or ATSC optional), F type 1*ASI input for re-mux, BNC interface 16*IP input for re-mux (UDP/RTP)				
<b>Tuner Section</b>	Multi-mode tuners switchable (New)	DVB-C	Input Frequency	60 ~890 MHz	
			Standard	J.83A, J.83C	J.83B
			Constellation	16/32/64/128/256 QAM	64/256 QAM
		DVB-T	Input Frequency	60 ~890 MHz	
			Bandwidth	6/7/8 M	
		ISDB-T	Input Frequency	60 ~890 MHz	
	Satellite	DVB-S	Input Frequency	950~2150MHz	
			Symbol rate	0.5~45Msps	
			Signal Strength	- 65- -25dBm	
			FEC	1/2, 2/3, 3/4, 5/6, 7/8	
			Constellation	QPSK	
			Max input bitrate	≤170 Mbps	
		DVB-S2	Input Frequency	950~2150MHz	
			Symbol rate	QPSK/8PSK /16APSK :0.5~45 Msps 32APSK: 0.5~40Msps;	
			FEC	QPSK: 1/2, 3/5, 2/3, 3/4, 4/5, 5/6, 8/9, 9/10 8PSK: 3/5, 2/3, 3/4, 5/6, 8/9, 9/10 16APSK: 2/3, 3/4, 4/5, 5/6, 8/9, 9/10 32APSK: 3/4, 4/5, 5/6, 8/9, 9/10	
			Constellation	QPSK, 8PSK, 16APSK, 32APSK	
			Max input bitrate	≤170 Mbps	
			DVB-S2X	Input Frequency	950~2150MHz
		Symbol rate		QPSK/8PSK /16APSK :0.5~45 Msps 8APSK: 0.5~40Msps 32APSK: 0.5~40Msps	
		FEC		QPSK: 1/2, 3/5, 2/3, 3/4, 4/5, 5/6, 8/9, 9/10, 13/45, 9/20, 11/20 8PSK: 3/5, 2/3, 3/4, 5/6, 8/9, 9/10 8APSK: 5/9-L, 26/45-L 16APSK: 2/3, 3/4, 4/5, 5/6, 8/9, 9/10, 1/2-L, 8/15-L, 5/9-L, 26/45, 3/5, 3/5-L, 28/45, 23/36, 2/3-L, 25/36, 13/18, 7/9, 77/90 32APSK: 3/4, 4/5, 5/6, 8/9, 2/3-L, 32/45, 11/15, 7/9	
Constellation		QPSK, 8PSK, 8APSK, 16APSK, 32APSK			
Max input bitrate		≤170 Mbps			
ATSC		ATSC		Input Frequency	54-858MHz
			Bandwidth	6 M	
	Constellation		8 VSB		

<b>Descrambling</b>	CAM/CI Quantity	2 (per demodulation module)
	BISS Mode	Mode 1, Mode E
<b>Output (per demodulation module)</b>	1*MPTS & 16*SPTS over UDP, RTP.	
	1000 Base-T Ethernet interface (unicast / multicast)	
<b>System</b>	1×ASI mirrored out of MPTS, BNC interface	
	Remote management	Web-server Management
	Language	English
<b>Miscellaneous</b>	Upgrade	web management
	Dimension	482*300*44mm (W×L×H)
	Environment	0~45℃(work); -20~80℃ (Storage)
	Power requirements	100~240VAC, 50/60Hz
	Power consumption	15W

## Order Guide

Please specify both **Demodulation module** and **Tuner Input** options when you place order:

<b>Demodulation Module</b>	Option 1	1*Demodulation module, 2 CAM/CI Slots
	Option 2	2*Demodulation modules, 4 CAM/CI Slots

<b>Tuner Input (per demodulation module)</b>	Option 1	2*DVB-S/S2/S2X tuner
	Option 2	2*DVB-C/T/ISDB-T tuner
	Option 3	2*ATSC tuner
	Option 4	4*DVB-S/S2/S2X tuner
	Option 5	4*DVB-C/T/ISDB-T tuner
	Option 6	4*ATSC tuner
	Option 7	2*DVB-S/S2/S2X tuner + 2*DVB-C/T/ISDB-T tuner
	Option 8	2*DVB-S/S2/S2X tuner + 2* ATSC tuner
	Option 9	2*DVB-C/T/ISDB-T tuner + 2*ATSC tuner

Updated Date: 18 Oct, 2021



All the specifications are subject to change without any further notice. All rights reserved.

Add: No. 10&No. 12, Wuxing Fourth Road, Wuhou District, Chengdu 610045, Sichuan, PR China  
[www.dsdrv.com/English](http://www.dsdrv.com/English) Tel: +86-028-85558928 Fax: +86-028-85585255 Email: sunyu@dsdrv.com