

WISI LR 47 x x5x0

Optical Node 1x2x3

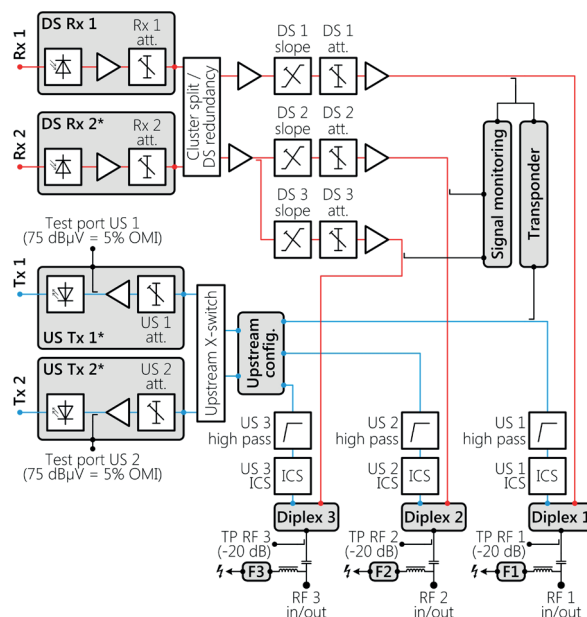


At a glance:

- Redundant Node with two distribution and one line output
- Pluggable (2x) receiver and (2x) transmitter modules
- Local and remote feeding types
- All settings available locally manageable with a OH 41 handset from WISI, Android app via Bluetooth or via remote connected NMS with HMS or DOCSIS 2.0 transponder installed
- Diplex filters and splitter / tap modules pluggable
- Electronic upstream configuration redundancy/ clustering
- One ICS-switch for every input
- Automated level setting control (ALC) via optical input power or pilot controlled VX 58 B

Description

The LR47 is an optical HFC node with an integrated fibre management. Several plugin modules for downstream receivers, return path transmitters, diplex filters and splitter/taps ensure a broad area of application in different configurations. The local configuration with the OH 41 handset, Ethernet or Android app via Bluetooth provides access to all necessary settings. The same options are available remotely via an VT52B HMS transponder.



WISI Communications GmbH & Co. KG

Wilhelm-Sihn-Str. 5-7
75223 Niefern - Oeschelbronn, Germany

Phone: +49 7233 66-280, Fax: -350
E-Mail: export@wisi.de

Technical Modifications reserved. WISI cannot be held liable for any printing error. 8. Juli 2019, 3:26 nachm.

Technical data

Downstream	
Optical input power	-6...+2 dBm
Wavelength	1270...1610 nm
Frequency range	85...1218 MHz (depending on diplexer)
Noise current density	< 4,5 pA/Hz
Attenuator downstream	0...20 dB (0,5 dB steps)
Equalizer downstream	0...20 dB (0,5 dB steps)

Output level distribution outputs

Outputlevel 10 dB slope (121 x QAM256), (EN60728-3-1)	112 dB μ V (BER <1 exp-9), (@ 2,5% OMI)
Outputlevel flat (121 x QAM256), (EN60728-3-1)	109 dB μ V (BER <1 exp-9), (@ 2,5% OMI)

Output level Line output

Outputlevel 10 dB slope (121 x QAM256), (EN60728-3-1)	103 dB μ V (BER <1 exp-9), (@ 2,5% OMI)
Outputlevel flat (121 x QAM256), (EN60728-3-1)	100 dB μ V (BER <1 exp-9), (@ 2,5% OMI)
Amplitude response	\pm 0,75 dB
Test point	-20 dB
RF return loss	> 18 dB (-1 dB/oct., min. 14 dB)
Optical return loss	> 40 dB

Upstream

with LT 46 xxxx (ordered separately!)

Optical output power	3 dBm (\pm 0,25 dB)
Wavelength	1270...1610 nm (CWDM grid, corresponding to order code)
Frequency range	5(15)...204 MHz (depending on diplexer)
Flatness	\pm 0,5 dB
Nominal RF input level	75 dB μ V
OMI setting range	3...10 %
Test point	75 dB μ V (for 5% OMI per channel)
Ingress Control Switch (ICS)	0/-6/-45 dB
RF return loss	> 18 dB (-1 dB/oct., min. 14 dB)
Optical return loss	> 40 dB

Interfaces

Optical connectors	SC/APC, E2000, LC/APC (see ordercode)
RF Interfaces	3x PG11 (75 Ohm)
Bluetooth antenna LB 01	1x PG11

User interfaces

Status LED downstream	Optical input power
Status LED upstream	Laser activity
Management ports RJ11	1 pcs. (for handset OH 41)
Management ports RJ45	1 pcs. (LMT)
Bluetooth version	4.0 / LE
Bluetooth profiles	GATT
Bluetooth transmit power	\leq 0 dBm
Bluetooth frequency	2.4 GHz

Technical data

Bluetooth app compatibility	Android 4.3 or higher
General data	
Supply voltage	LR 4x x 2xxx: 180...264 V AC, LR 4x x 6xxx: 27...65 V AC
Power consumption	<55 W (including US TX)
Remote supply current per port	<8 A
Output impedance	75 Ω
Dimensions (width x height x depth)	288 x 125 x 302 mm
Electro Magnetic Compatibility (EMC)	EN 50083-2
Protection class	IP 66
Ambient temperature	-10...+55 °C

LR 47 X X5X0

Options:	0 – default
Diplexer:	0 – default - without 1 – XE50B0650 – 65/85 MHz 2 – XE50B0850 – 85/105 MHz 3 – XE50B1170 – 117/149 MHz 4 – XE50B2040 – 204/258 MHz
Hardware Configuration:	5 – triple output stage
Powering:	2 – local powered (230 VAC, EU plug) 6 – remote powered (65 VAC, coax)
Connector type:	L – LC/APC S – SC/APC E – E2000