

Community Antenna Television

SR802P

Optical Node

Description

2-way output FTTH CATV optical receiver. Compact and reasonable structure, ABS cover. high performance and low price is available for you network engineering.



Feature

Adopts E-O PIN

Imported microwave diode for push-pull amplify.

Suitable for FTTH network

Wide range of input optic power

Technical Parameter

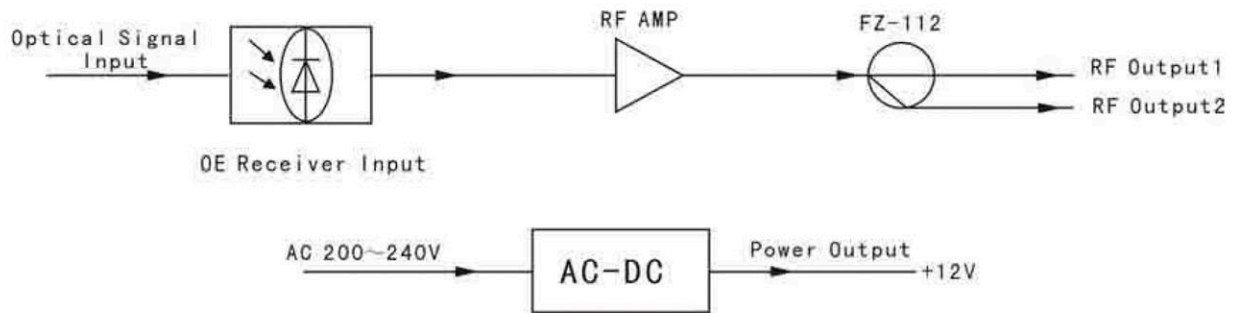
Item	Unit	Specification
Forward Optical Receive Parameter		
Optical Parameter		
Input Power Range	dBm	-7~+2
Suggested Work Range	dBm	-3~+1
Optical Return Loss	dB	>45
Optical Wavelength	nm	1100~1600
Operating Fiber Type		single mode
System Parameter		
C/N	dB	>50
C/CTB	dB	>65
C/CSO	dB	>63
RF Parameter		
Frequency Range	MHz	45~862
Flatness	dB	±0.75
Rated Output Level	dBuV	85 (Input Optical Power -2dBm)
Max. Output Level	dBuV	95
Return Loss	dB	≥10
Output Impedance	Ω	75

Community Antenna Television

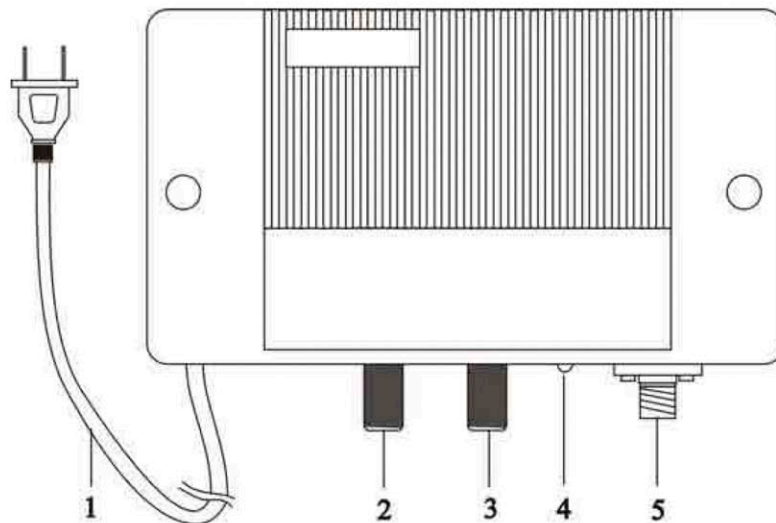
SR802P

Optical Node

Block Diagram



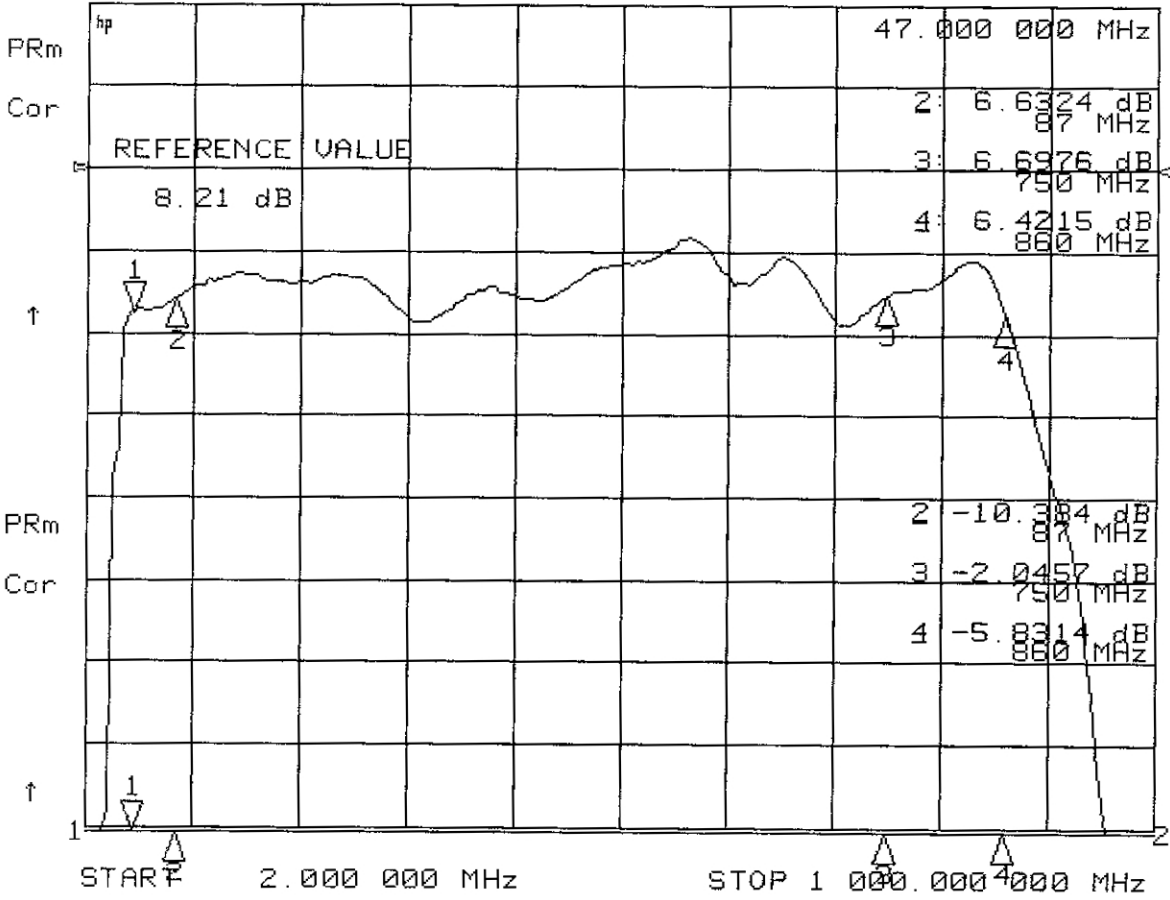
Overview



1. AC power input.
2. RF output terminal 1.
3. RF output terminal 2 (-12dB) .
4. Input optical power indicator, the display meaning as following: Red-No optical power or low power.
Green- The input optical power is on normal. Orange- input optical power is higher.
5. Input optical signal interface.

21 Feb 2009 00:03:57

CH1 S12 log MAG 1 dB/ REF 8.21 dB 1: 6.468 dB
CH2 S11 log MAG 5 dB/ REF 40 dB 1: -11.086 dB



CN0902CATV03449